

“MSA” SUSPENDED ARCH

The Detrick Multiple Support Arch is available in multiple thickness' to meet many individual furnace requirements. Multiple Support tile are interlocking, pre-fired refractory shapes available in several refractory qualities. Each tile interlocks with the adjacent tile, providing system strength and integrity through this basic design feature.

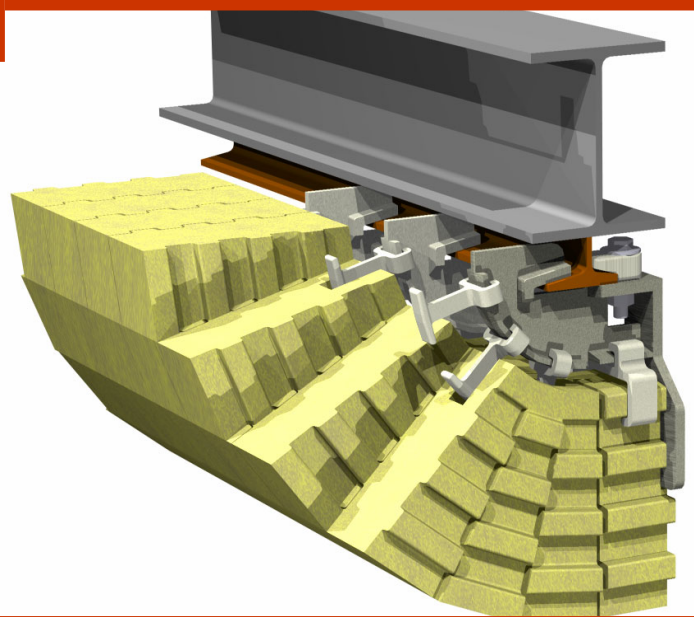
The hanger support rows can be spaced on 8, 12 or 16 inch centerlines as required. The MSA roof has proven to be very resistant to mechanical abuse during charging of loose scrap and dross scraping procedures. Pre-fired brick are resistant to penetration, spalling and abrasion.

Either insulated or air-cooled (insulation omitted) designs can be provided. By adjusting the filler tile and support tile sizes, the desired degree of insulation or air-cooling requirements can be met.

“MSA” SUSPENDED NOSE

Compared with monolithic refractories, Detrick Multiple Support tile constructions have distinct advantages. In the case of monolithics, eroded or otherwise damaged furnace lining areas often require large portions of the construction to be replaced. Multiple Support Construction, however, lends itself to selected repair. Individual panels or sections may be replaced, leaving nearby original work undisturbed.

Also, for any given grade of refractory, Detrick pre-fired construction has higher density than a fired-in-place monolithic. This means higher “refractoriness”, greater resistance to physical abuse and chemical attack and of course longer life.

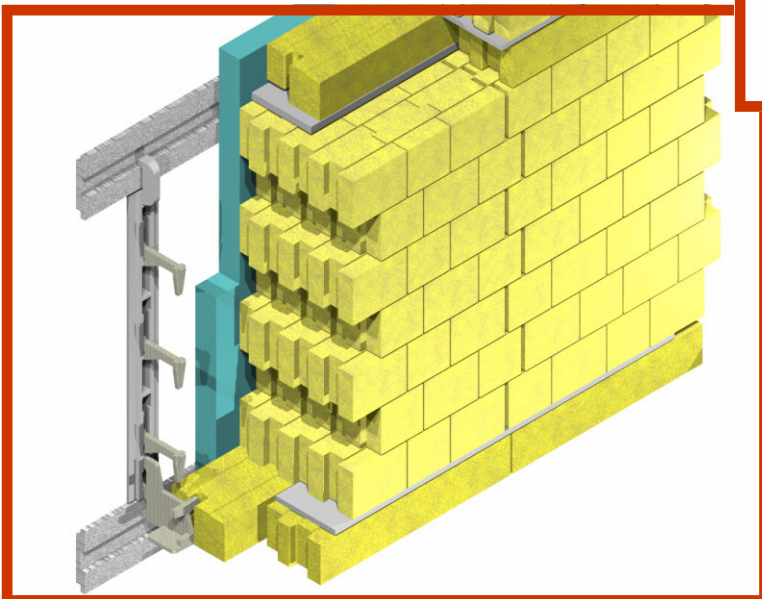


“MSA” SECTIONALIZED WALL

The Detrick Multiple Support Wall consists of independent, replaceable *panels* of interlocking tile. The heat resistant castings stabilize and support the wall structure zone by zone.

Horizontal and Vertical expansion joints simplify removal of individual sections, should replacement be necessary. Vertical expansion joints are provided to relieve horizontal expansion along the wall length, and Horizontal expansion joints are provided to relieve vertical expansion in the wall height.

Again, multiple variations of refractory thickness and insulation can be provided to meet demanding design specifications.

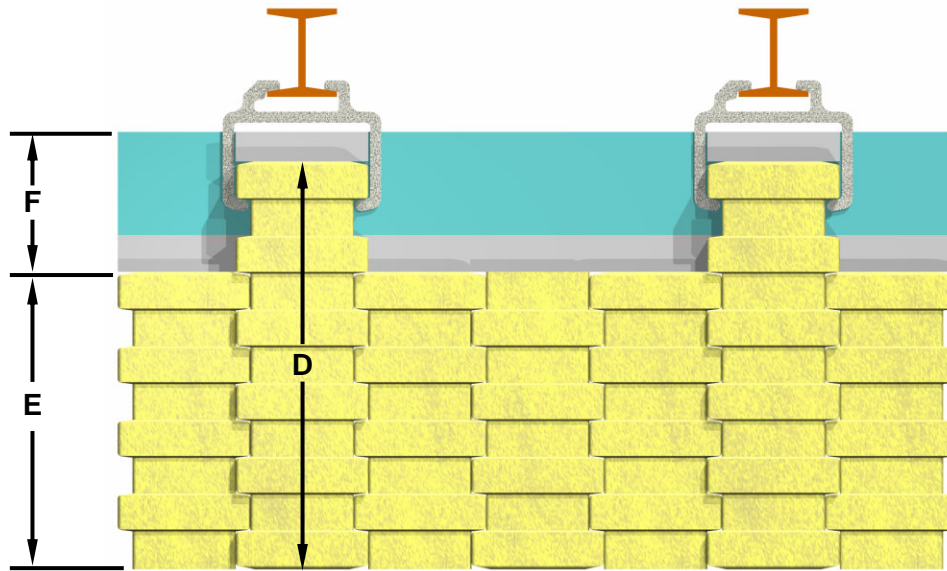
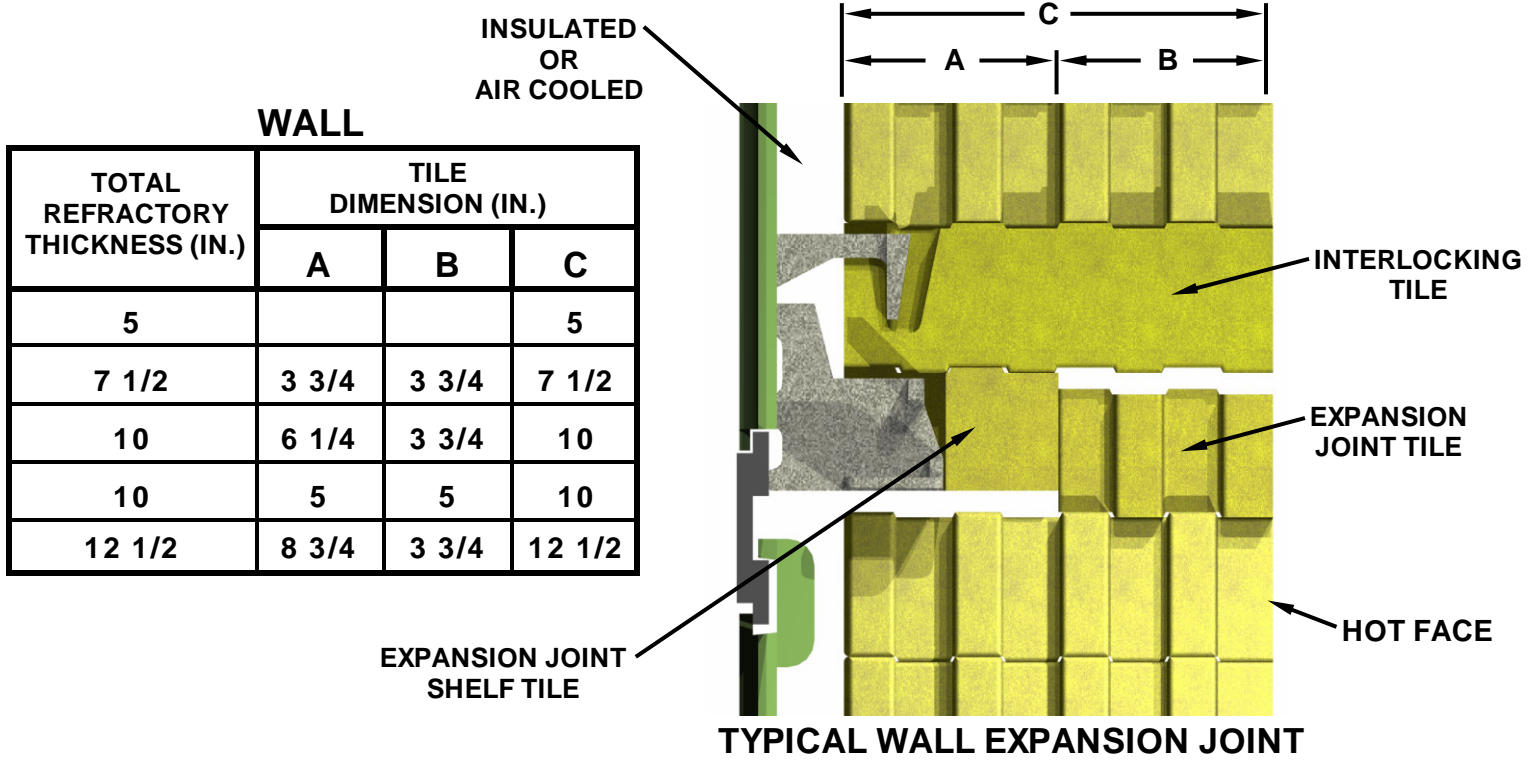


M.H. DETRICK CO.
ENGINEERED HEAT ENCLOSURES FOR INDUSTRY

9400 BORMET RD. - SUITE 10 - MOKENA, ILLINOIS 60448 - U.S.A.

Phone: (708)479-5085 - Fax: (708)479-1030

AVAILABLE WALL AND ROOF THICKNESSES



INTERLOCKING TILE (HANGER)	D	13 3/4	13 3/4	13 3/4	12 1/2	12 1/2	12 1/2	10	10	7 1/2
INTERLOCKING TILE (FILLER)	E	10	7 1/2	5	10	7 1/2	5	7 1/2	5	5
MAXIMUM INSULATION	F	3 3/4	6 1/4	8 3/4	2 1/2	5	7 1/2	2 1/2	5	2 1/2

DIMENSION (IN.)



M.H. DETRICK CO.

ENGINEERED HEAT ENCLOSURES FOR INDUSTRY

9400 BORMET RD. - SUITE 10 - MOKENA, ILLINOIS 60448 - U.S.A.

Phone: (708)479-5085 - Fax: (708)479-1030